

# Cladding details

## Horizontal installation

Horizontal installation

Page 6

2008

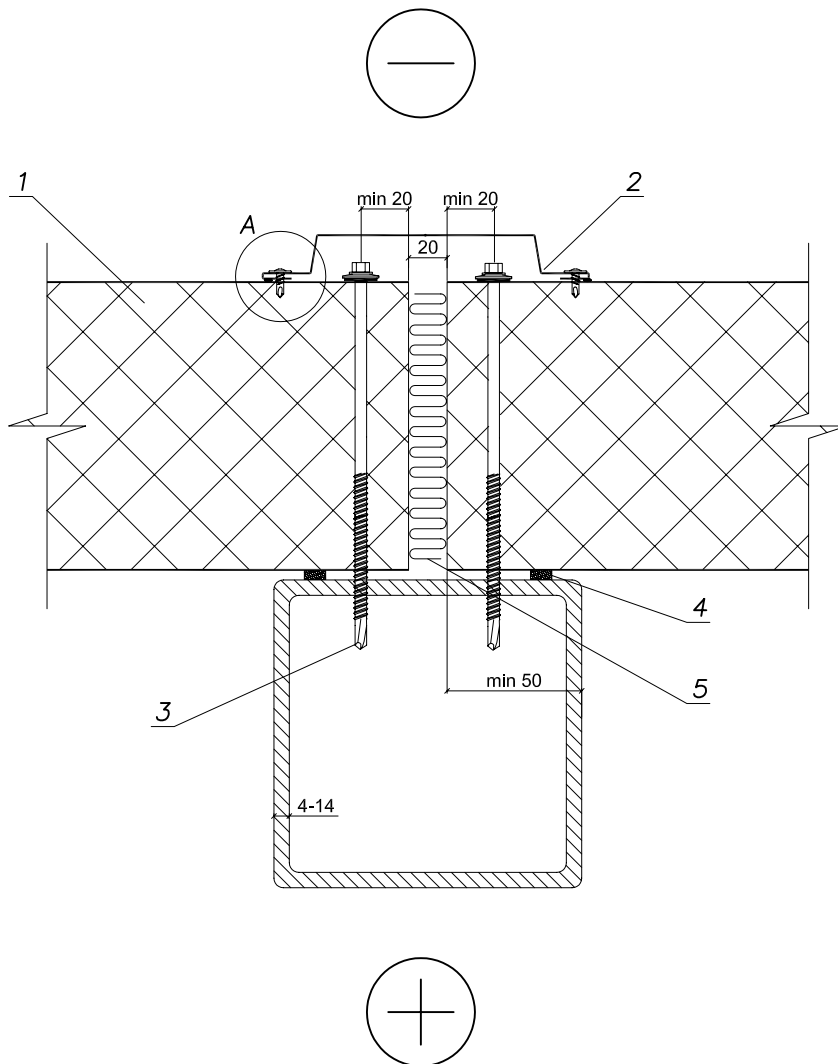
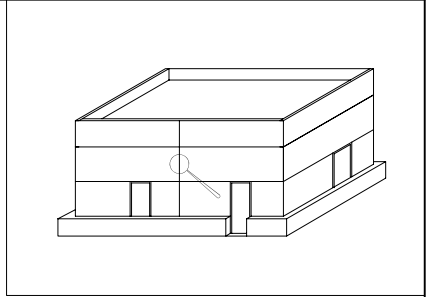
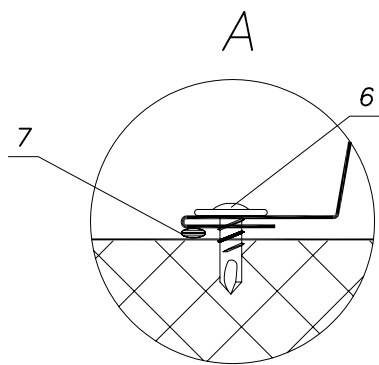
[www.stroypanel.ru](http://www.stroypanel.ru)

list6.dwg

Cladding details



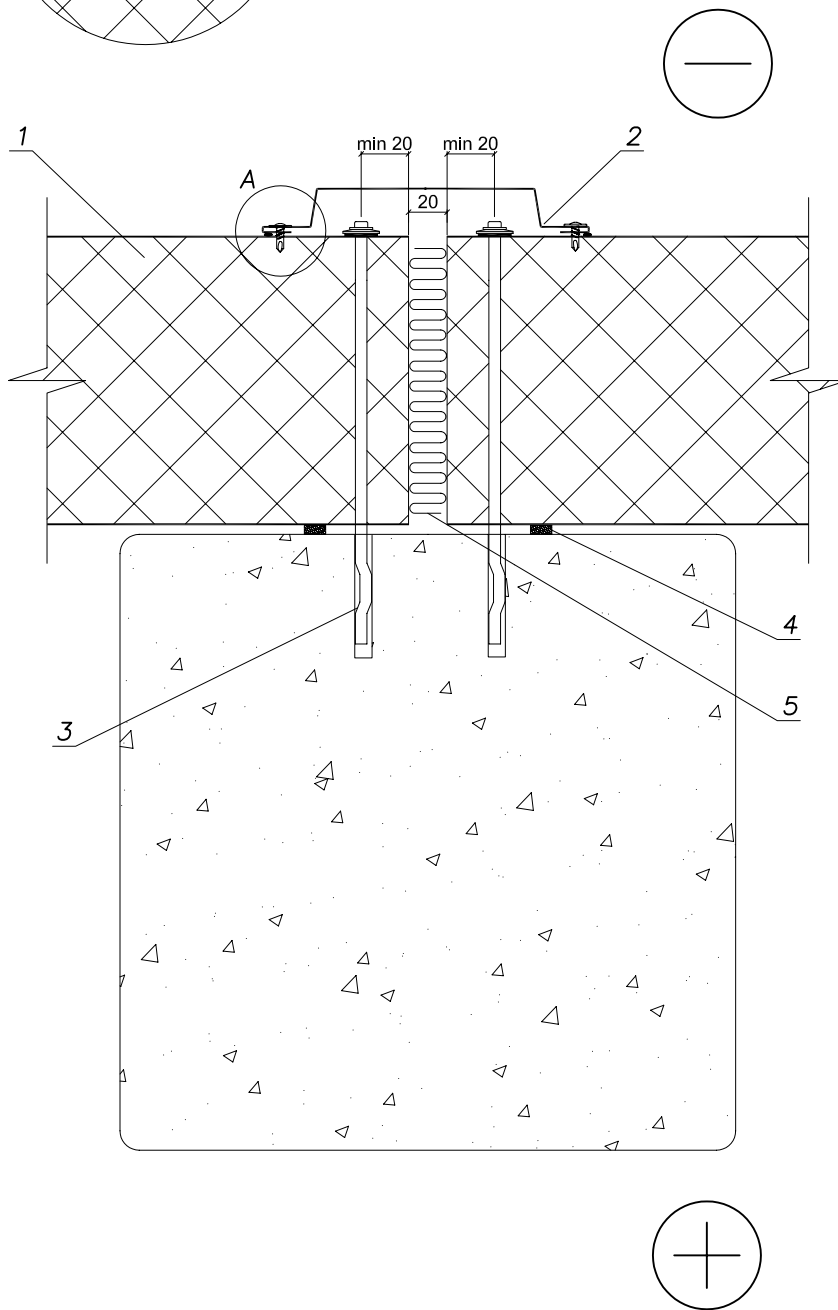
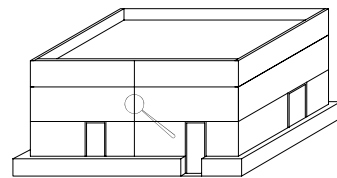
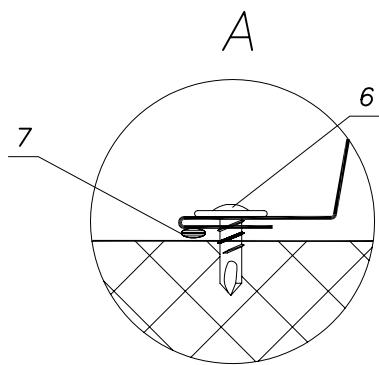
OOO "Stroypanel"  
(812) 334-81-13



- 1. Panel
- 2. Flashing (page 40,41)
- 3. Self-drilling screw (page 38)
- 4. Vapour sealant tape 6x14 mm (page 39)
- 5. Rock wool (page 39)
- 6. Flashing screw (page 38)
- 7. Flashing saeling

## Fixing to steel frame

## Horizontal installation



1. Panel
2. Flashing (page 40,41)
3. Fastener type SFS Spike
4. Vapour sealant tape 6x14 mm (page 39)
5. Rock wool (page 39)
6. Flashing screw (page 38)
7. Flashing saeling

## Fixing to concrete frame

## Horizontal installation

Page 8

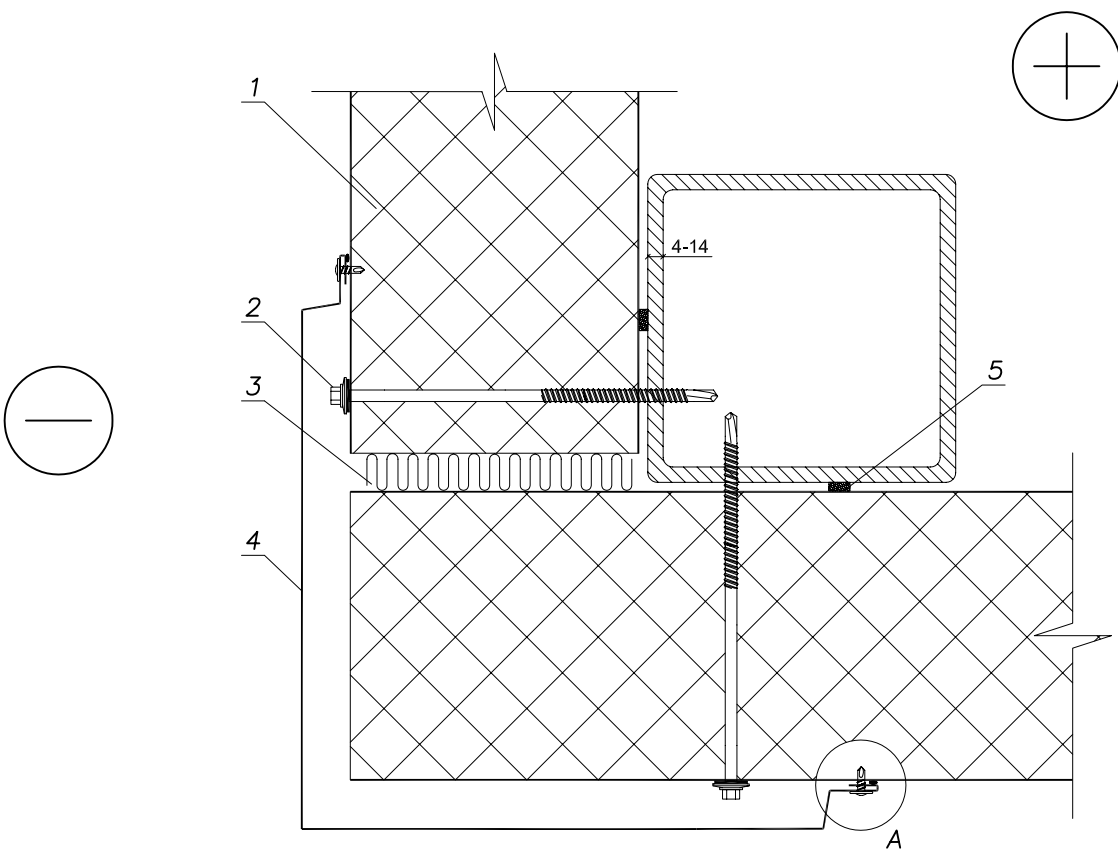
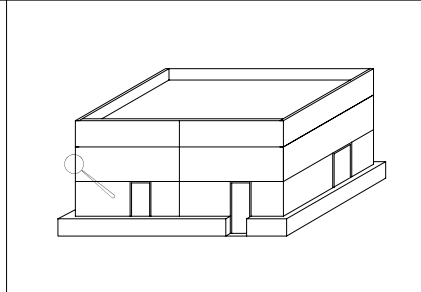
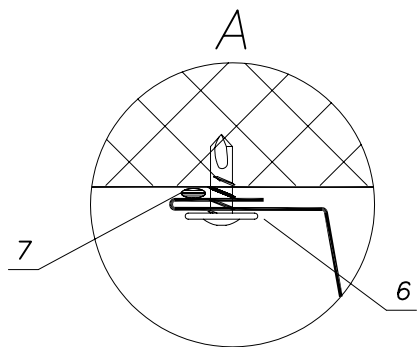
2008

[www.stroypanel.ru](http://www.stroypanel.ru)

list8.dwg



OOO "Stroypanel"  
(812) 334-81-13



- 1. Panel
- 2. Self-drilling screw (page 38)
- 3. Rock wool (page 39)
- 4. Flashing (page 40,41)
- 5. Vapour sealant tape 6x14 mm (page 39)
- 6. Flashing screw (page 38)
- 7. Flashing saeling

Corner, fixing to steel frame

Page 9

2008

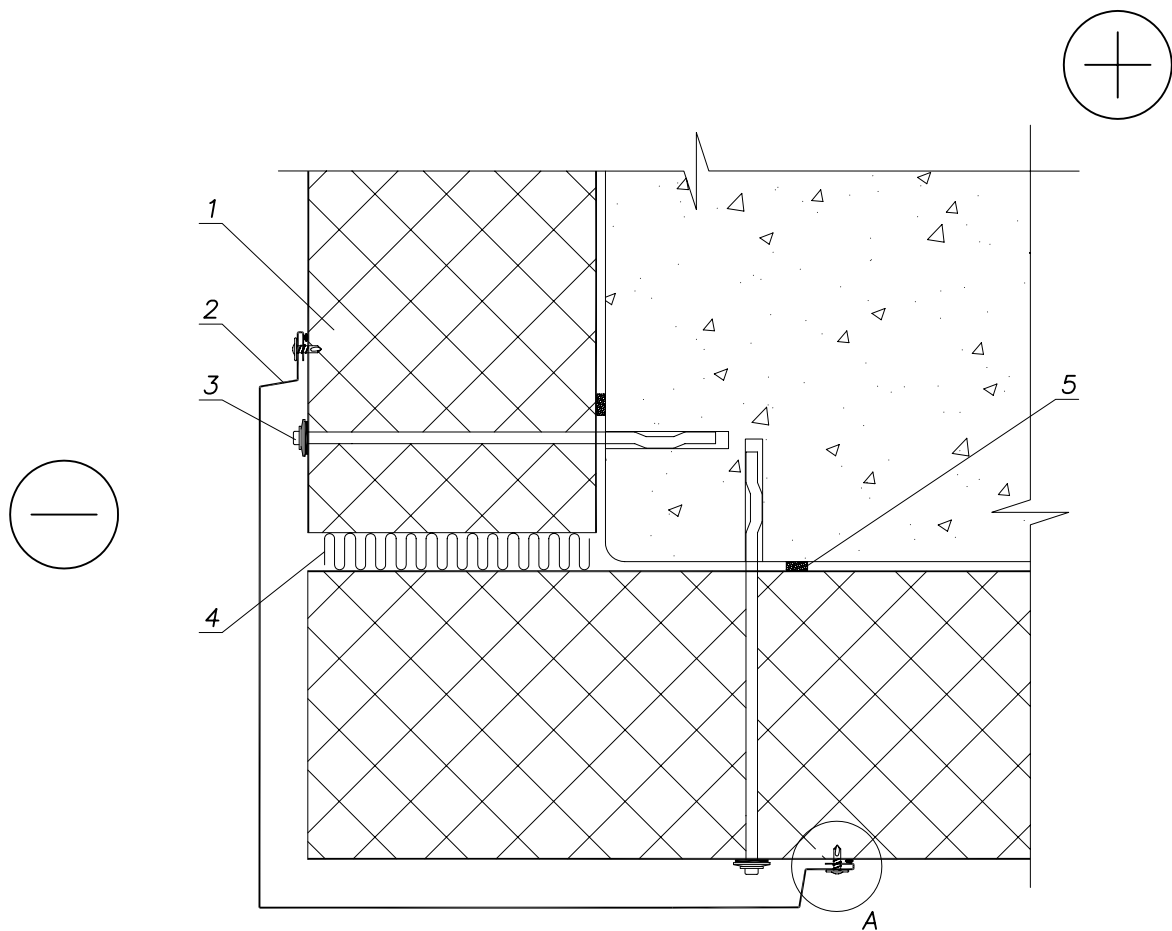
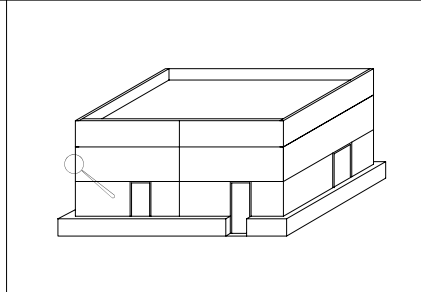
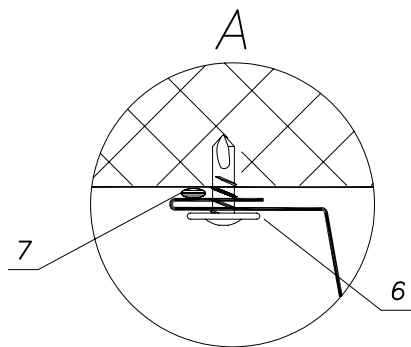
www.stroypanel.ru

list9.dwg

Horizontal installation



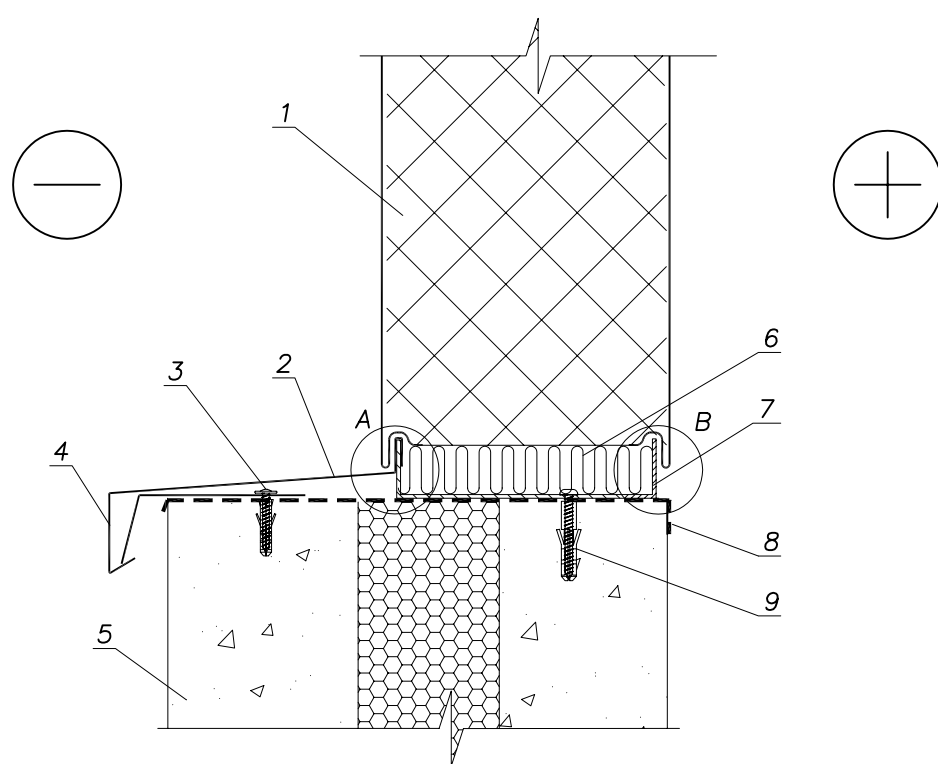
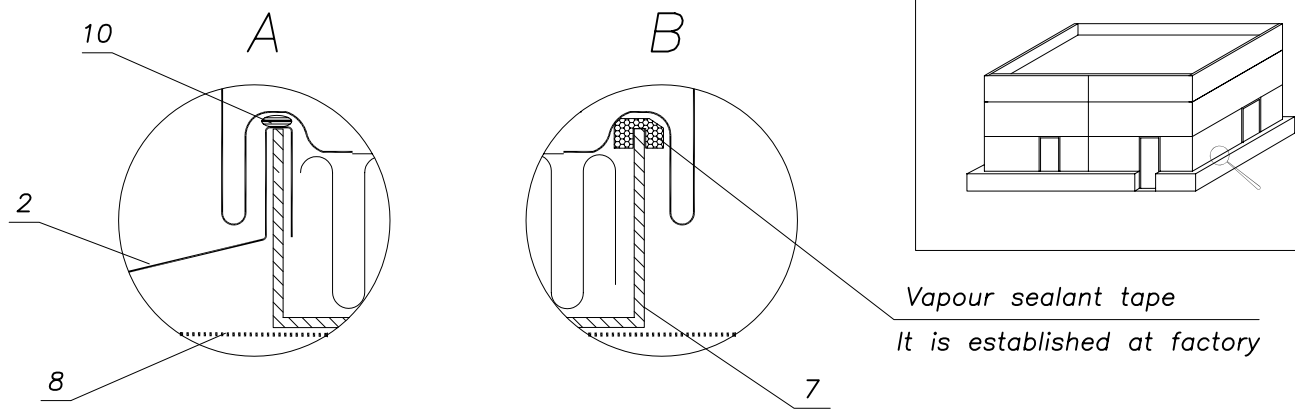
OOO "Stroypanel"  
(812) 334-81-13



- 1. Panel
- 2. Flashing (page 40,41)
- 3. Fastener type SFS Spike
- 4. Rock wool (page 39)
- 5. Vapour sealant tape 6x14 mm (page 39)
- 6. Flashing screw (page 38)
- 7. Flashing saeling

## Corner, fixing to concrete frame

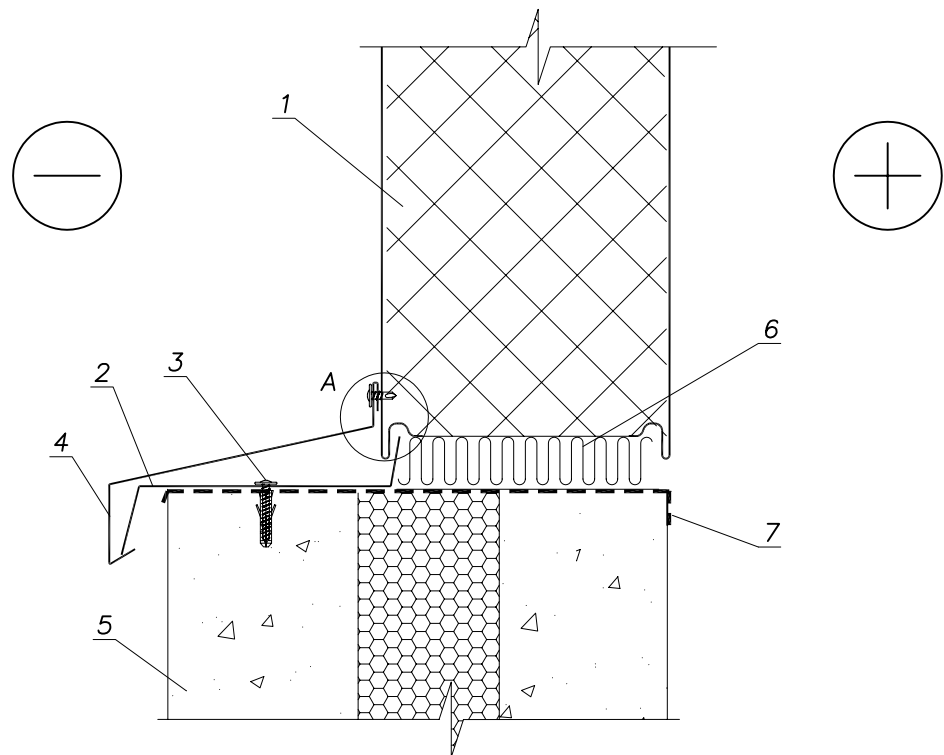
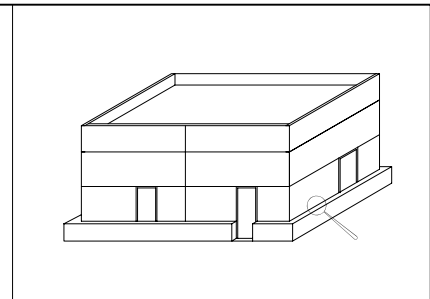
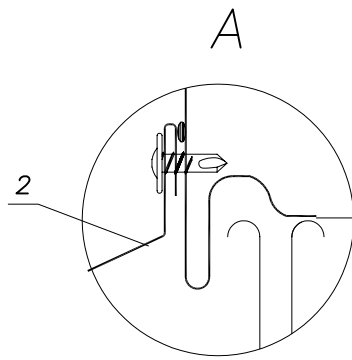
### Horizontal installation



- 1. Panel
- 2. Flashing (page 40,41)
- 3. Anchor with screw cc 300 mm (page 38)
- 4. Flashing (page 40,41)
- 5. Concrete base
- 6. Rock wool (page 39)
- 7. U-profile (page 39)
- 8. Bitumen seal
- 9. Anchor with screw (page 38)
- 10. Flashing saeling

Shadow to footing

Horizontal installation



1. Panel
2. Flashing (page 40,41)
3. Anchor with screw cc 300 mm (page 38)
4. Flashing (page 40,41)
5. Concrete base
6. Rock wool (page 39)
7. Bitumen seal

Shadow to footing var. 2

Page 11-1

2008

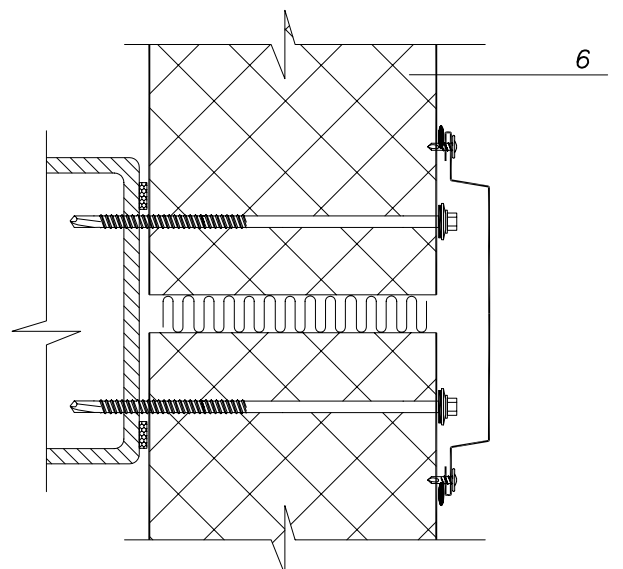
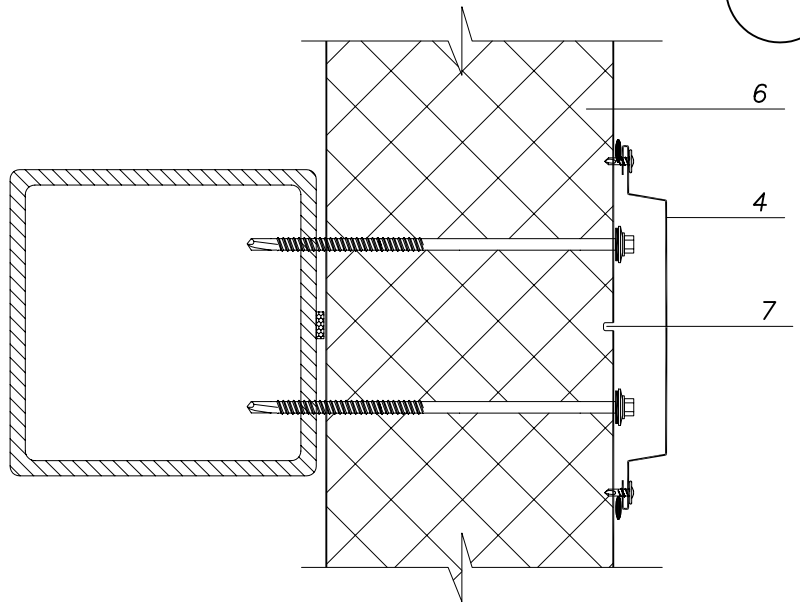
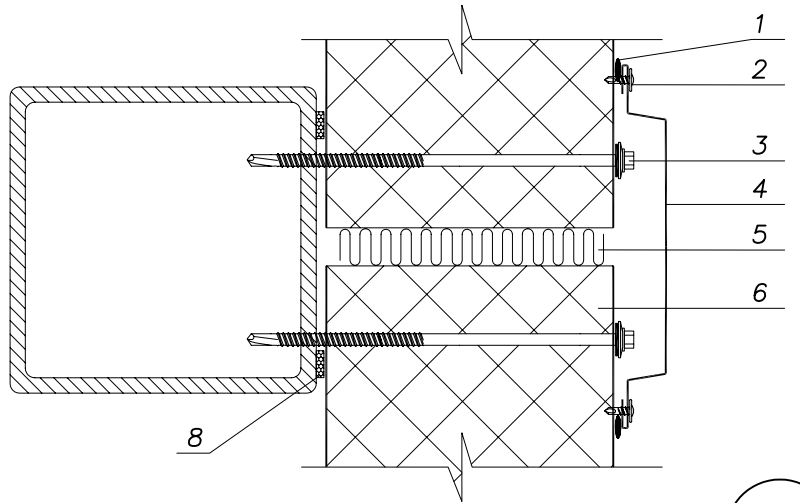
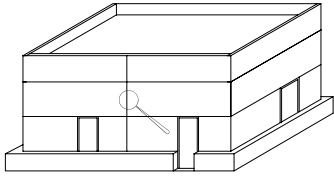
www.stroypanel.ru

list11-1.dwg

Horizontal installation



OOO "Stroypanel"  
(812) 334-81-13



1. Flashing saeling
2. Flashing screw (page 38)
3. Self-drilling screw (page 38)
4. Flashing (page 40,41)
5. Rock wool (page 39)
6. Panel, length more then 6 m
7. Vertical cut
8. Vapour sealant tape 6x14 mm (page 39)

## Fixing for double-span walls

### Horizontal installation

Page 12

2008

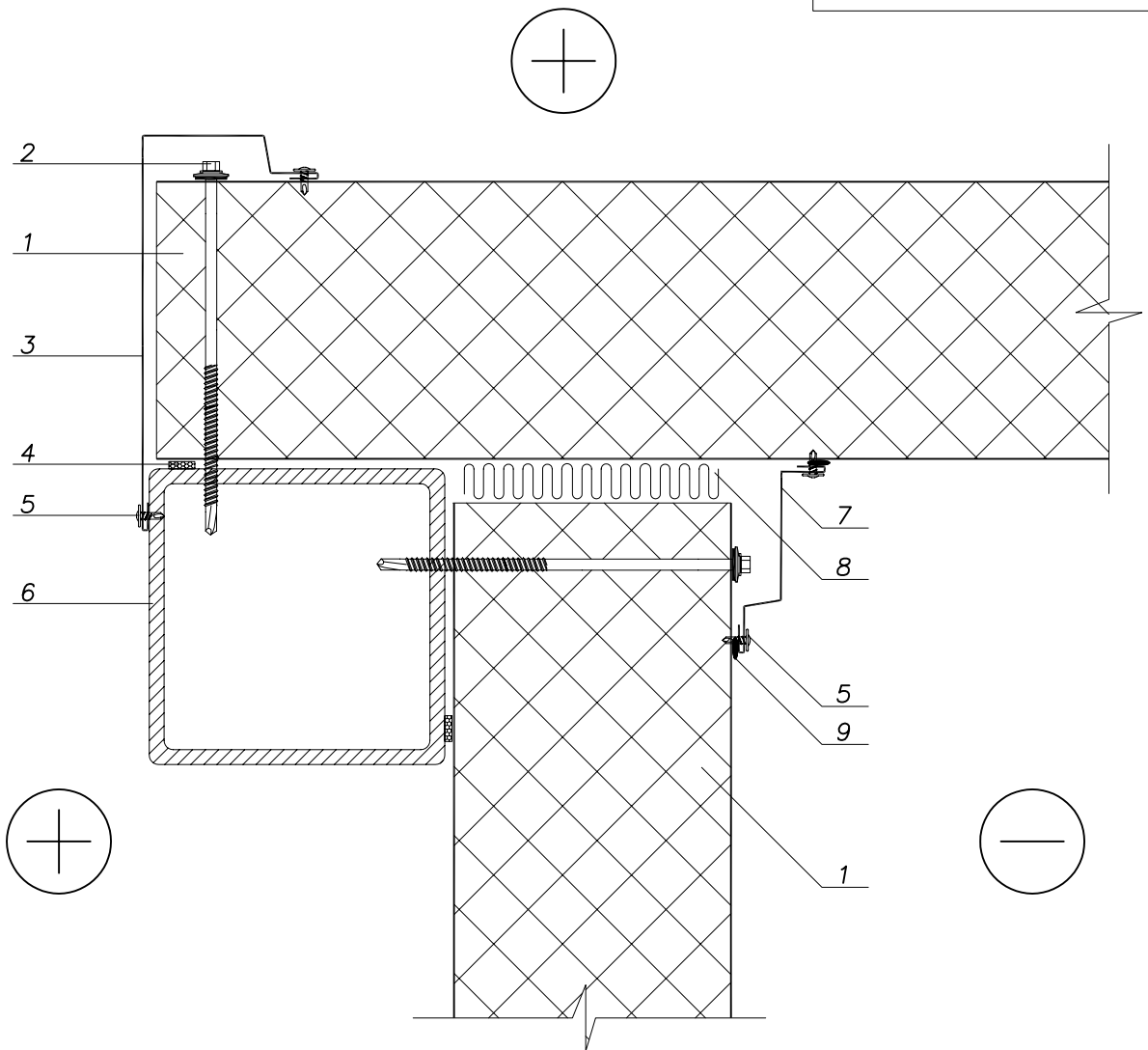
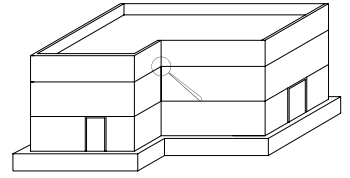
[www.stroypanel.ru](http://www.stroypanel.ru)

list12.dwg



OOO "Stroypanel"  
(812) 334-81-13





1. Panel
2. Self-drilling screw (page 38)
3. Flashing (page 40,41)
4. Vapour sealant tape 6x14 mm (page 39)
5. Flashing screw (page 38)
6. Steel frame
7. Flashing (page 40,41)
8. Rock wool (page 39)
9. Flashing saeling

Internal corner

Page 13

2008

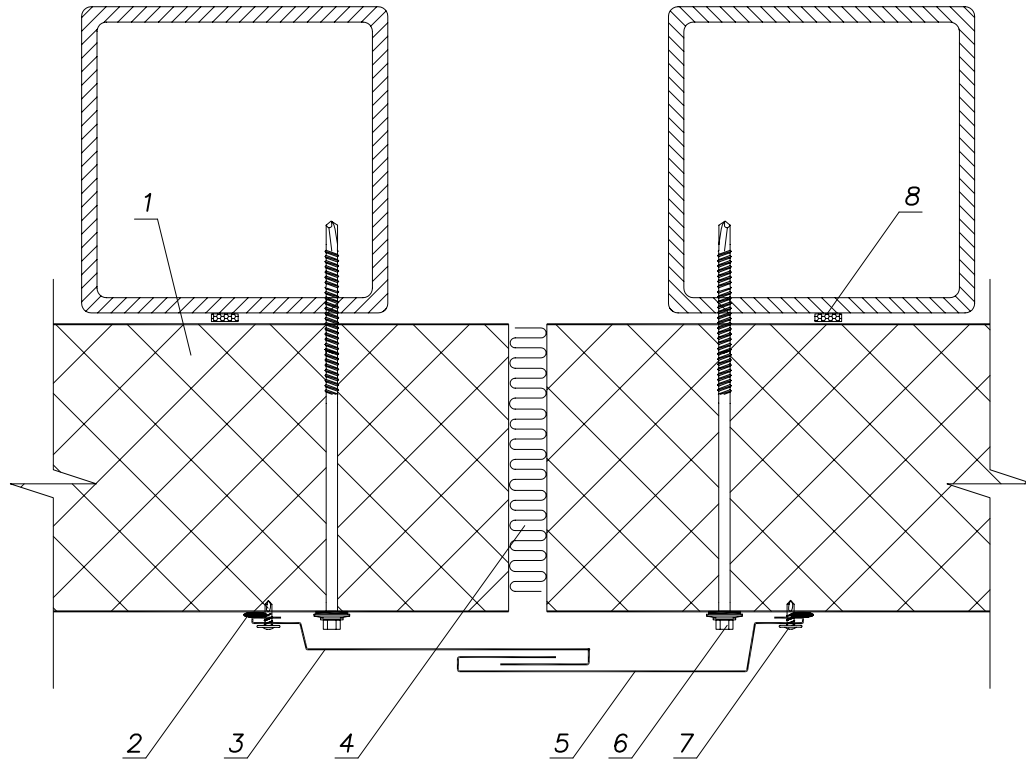
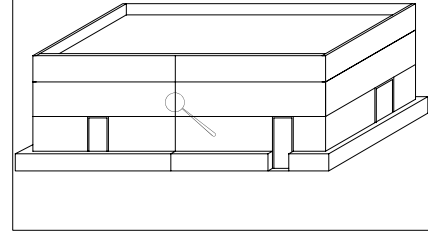
www.stroypanel.ru

list13.dwg

Horizontal installation



OOO "Stroypanel"  
(812) 334-81-13



1. Panel
2. Flashing saeling
3. Flashing (page 40,41)
4. Rock wool (page 39)
5. Flashing (page 40,41)
6. Self-drilling screw (page 38)
7. Flashing screw (page 38)
8. Vapour sealant tape 6x14 mm (page 39)

## Temperature seam

## Horizontal installation

Page 14

2008

[www.stroypanel.ru](http://www.stroypanel.ru)

list14.dwg



OOO "Stroypanel"  
(812) 334-81-13