

# Cladding details

## Vertical installation

Vertical installation

Page 15

2008

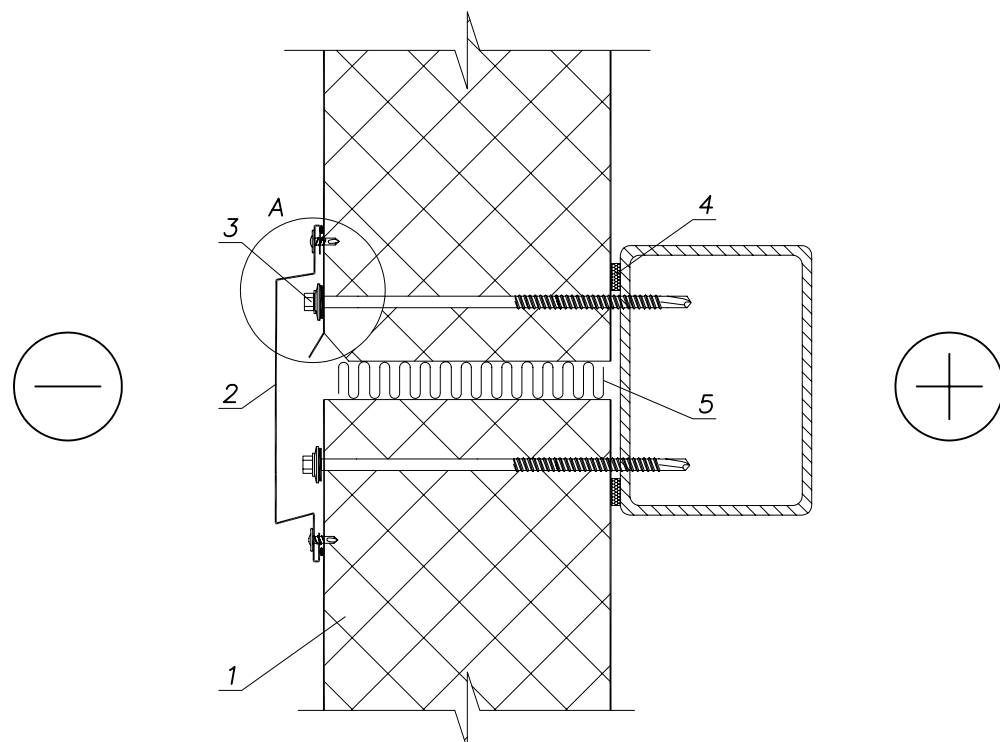
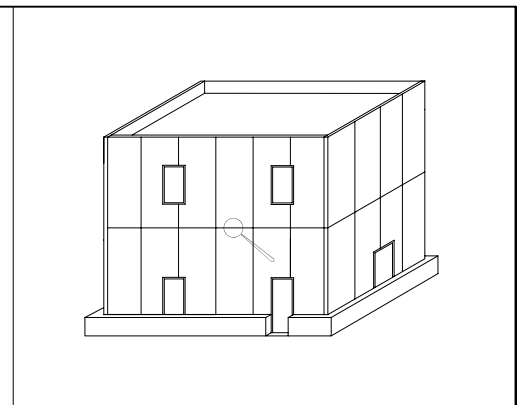
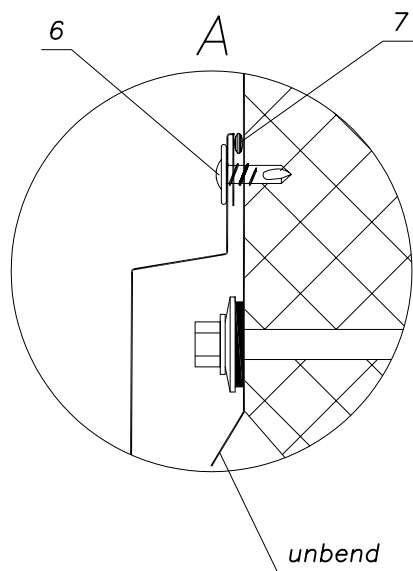
[www.stroypanel.ru](http://www.stroypanel.ru)

list15.dwg

Cladding details



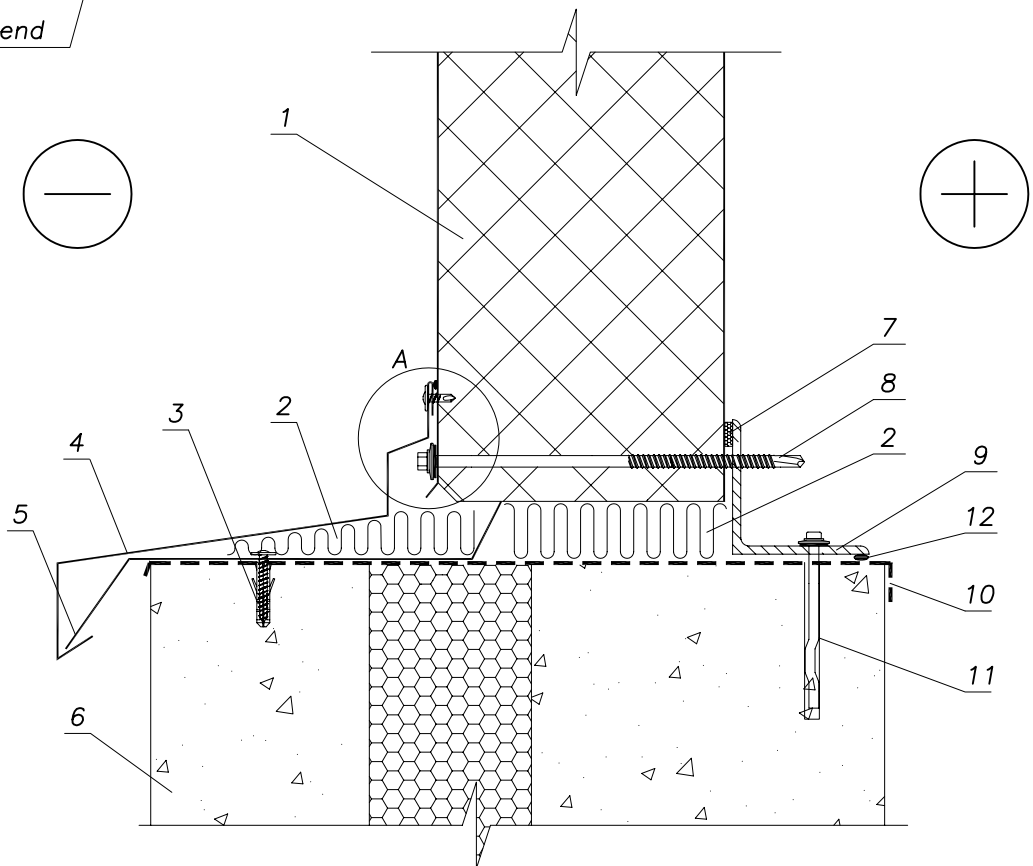
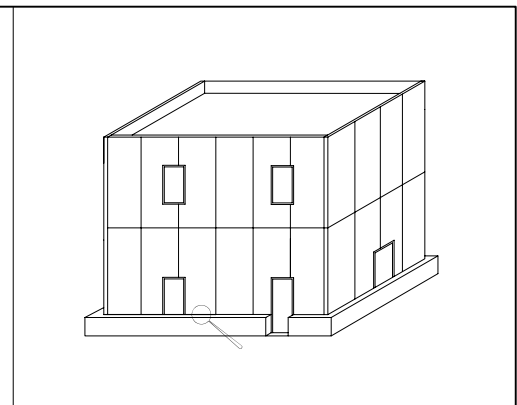
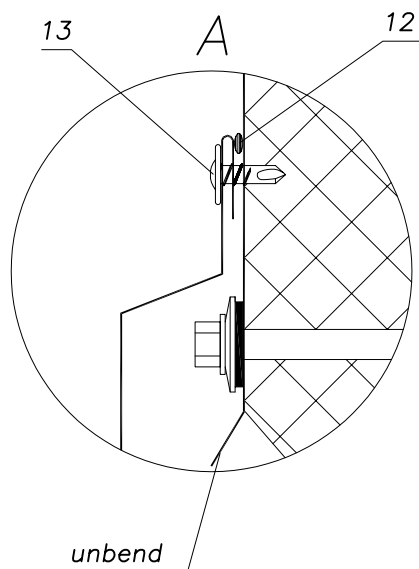
OOO "Stroypanel"  
(812) 334-81-13



- 1. Panel
- 2. Flashing (page 40,41)
- 3. Self-drilling screw (page 38)
- 4. Vapour sealant tape 6x14 mm (page 39)
- 5. Rock wool (page 39)
- 6. Flashing screw (page 38)
- 7. Flashing saeling

## Fixing to steel frame

## Vertical installation



1. Panel
2. Rock wool
3. Anchor with screw cc 300 mm (page 38)
4. Flashing (page 40,41)
5. Flashing (page 40,41)
6. Concrete base
7. Vapour sealant tape 6x14 mm (page 39)
8. Self-drilling screw (page 38)
9. Steel element
10. Bitumen seal
11. Fastener type SFS Spike cc 600 mm
12. Flashing saeling
13. Flashing screw (page 38)

## Shadow to footing

## Vertical installation

Page 17

2008

[www.stroypanel.ru](http://www.stroypanel.ru)

list17.dwg



OOO "Stroypanel"  
(812) 334-81-13