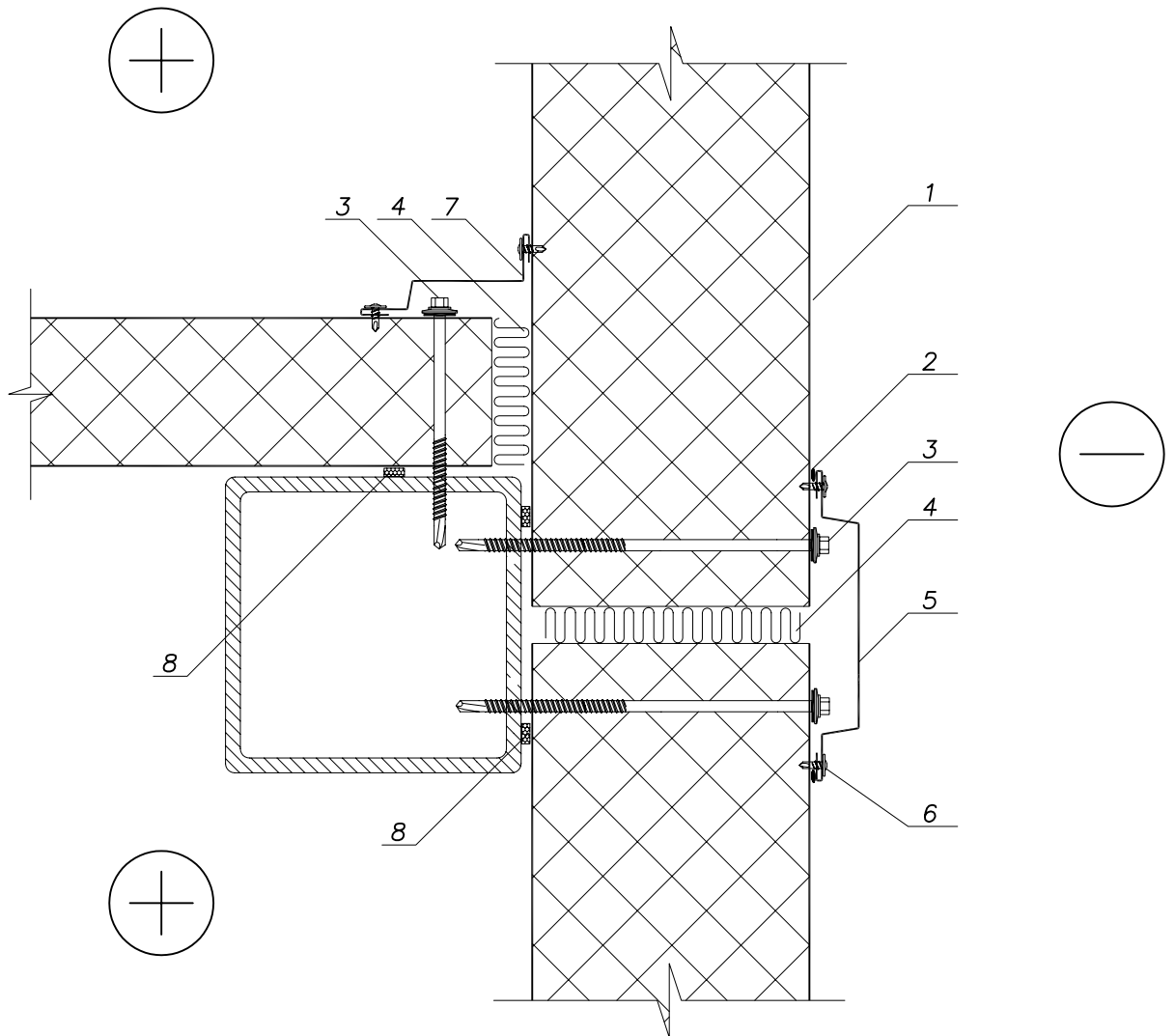
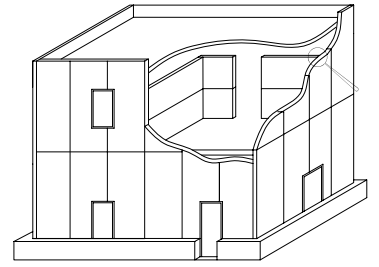


Cladding details

Partition walls

Partition walls	Page 18	2008
	www.stroypanel.ru	list18.dwg
Cladding details	 000 "Stroypanel" (812) 334-81-13	





1. Panel
2. Flashing saeling
3. Self-drilling screw (page 38)
4. Rock wool (page 39)
5. Flashing (page 40,41)
6. Flashing screw (page 38)
7. Flashing (page 40,41)
8. Vapour sealant tape 6x14 mm (page 39)

Corner

Page 19

2008

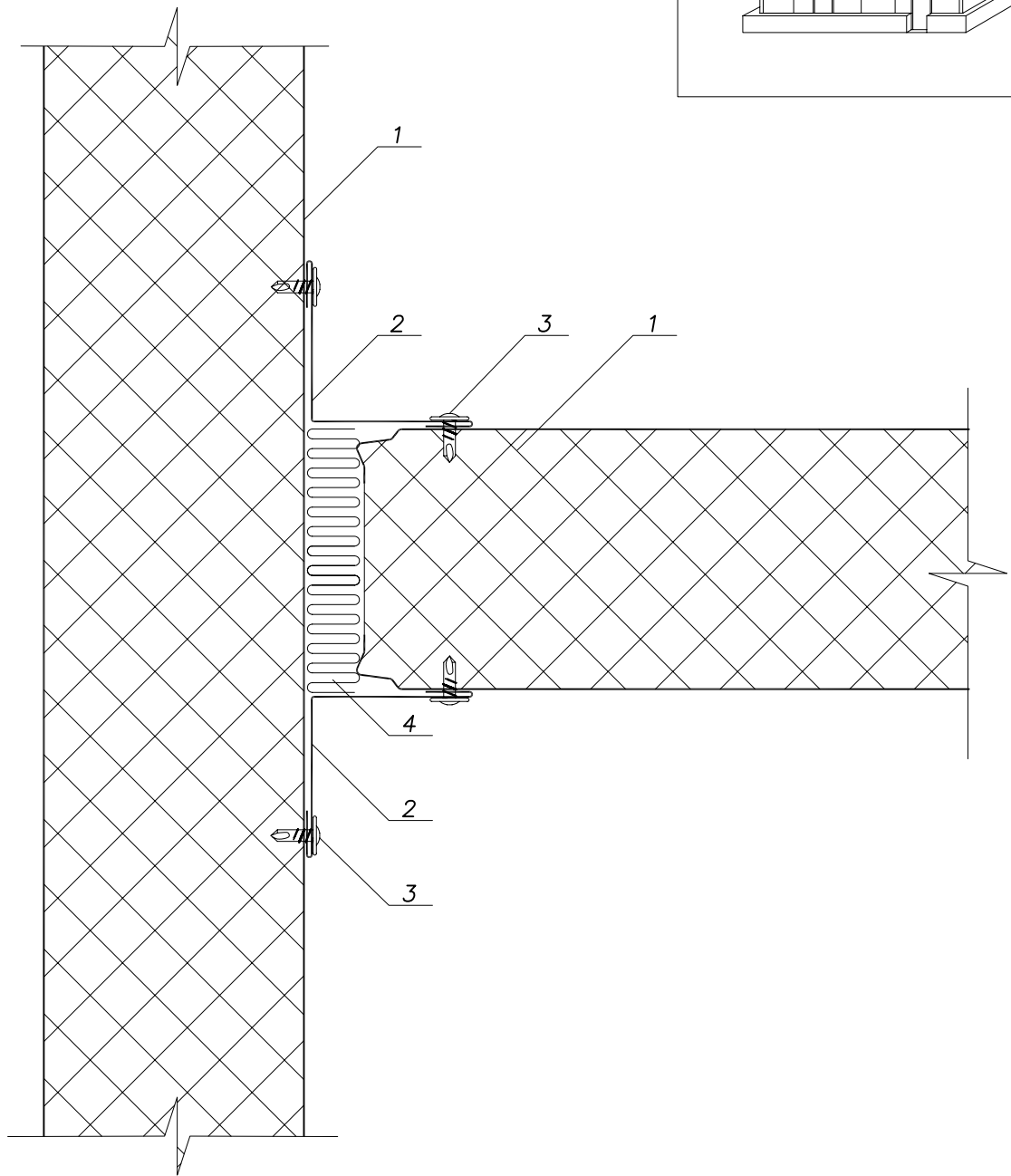
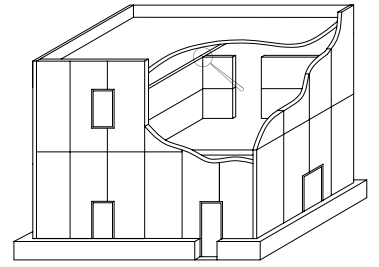
www.stroypanel.ru

list19.dwg

Partition walls



OOO "Stroypanel"
(812) 334-81-13



- 1. Panel
- 2. Flashing (page 40,41)
- 3. Flashing screw (page 38)
- 4. Rock wool (page 39)

Corner

Page 20

2008

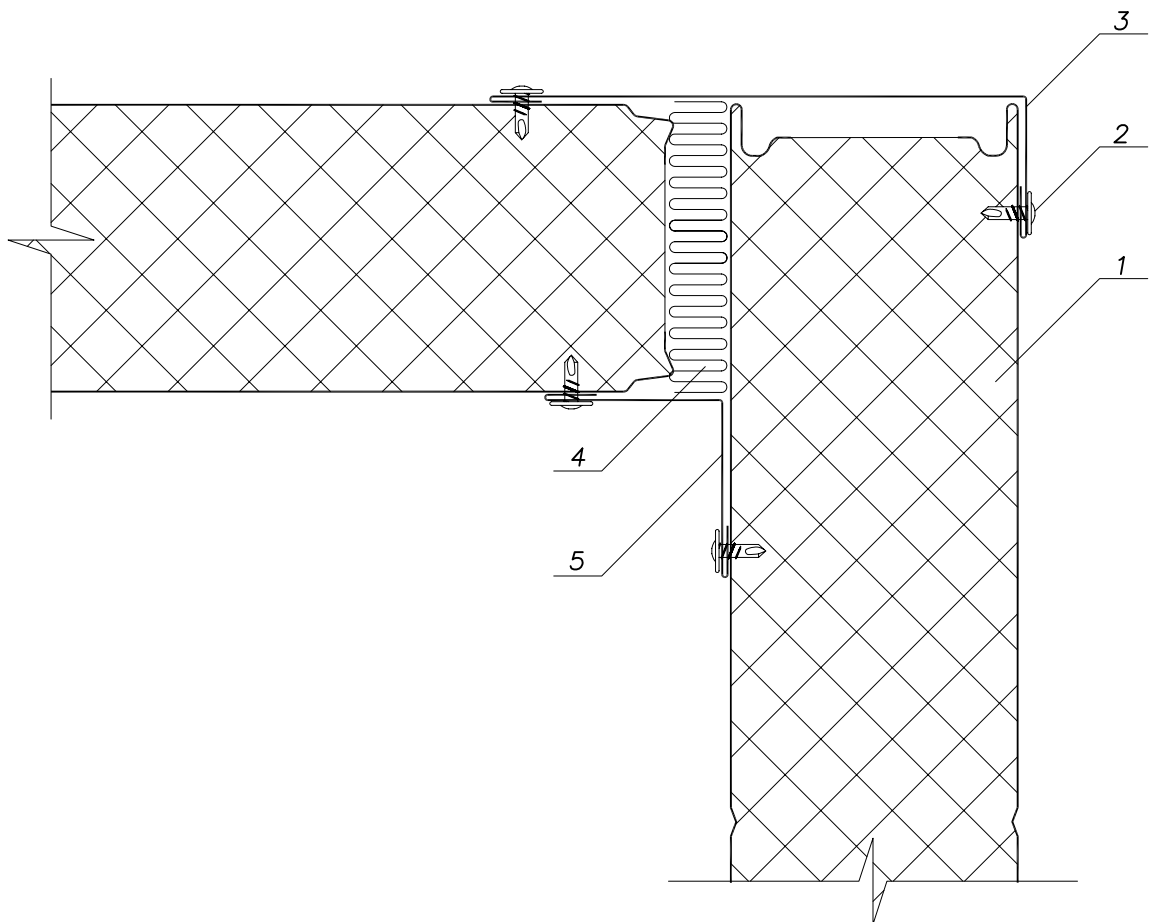
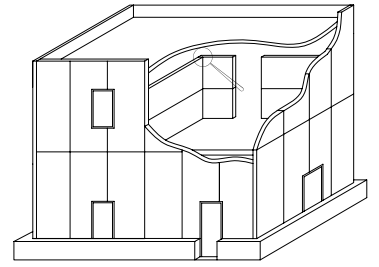
www.stroypanel.ru

list20.dwg

Partition walls



OOO "Stroypanel"
(812) 334-81-13



1. Panel
2. Flashing screw (page 38)
3. Flashing (page 40,41)
4. Rock wool (page 39)
5. Flashing (page 40,41)

Corner

Partition walls

Page 21

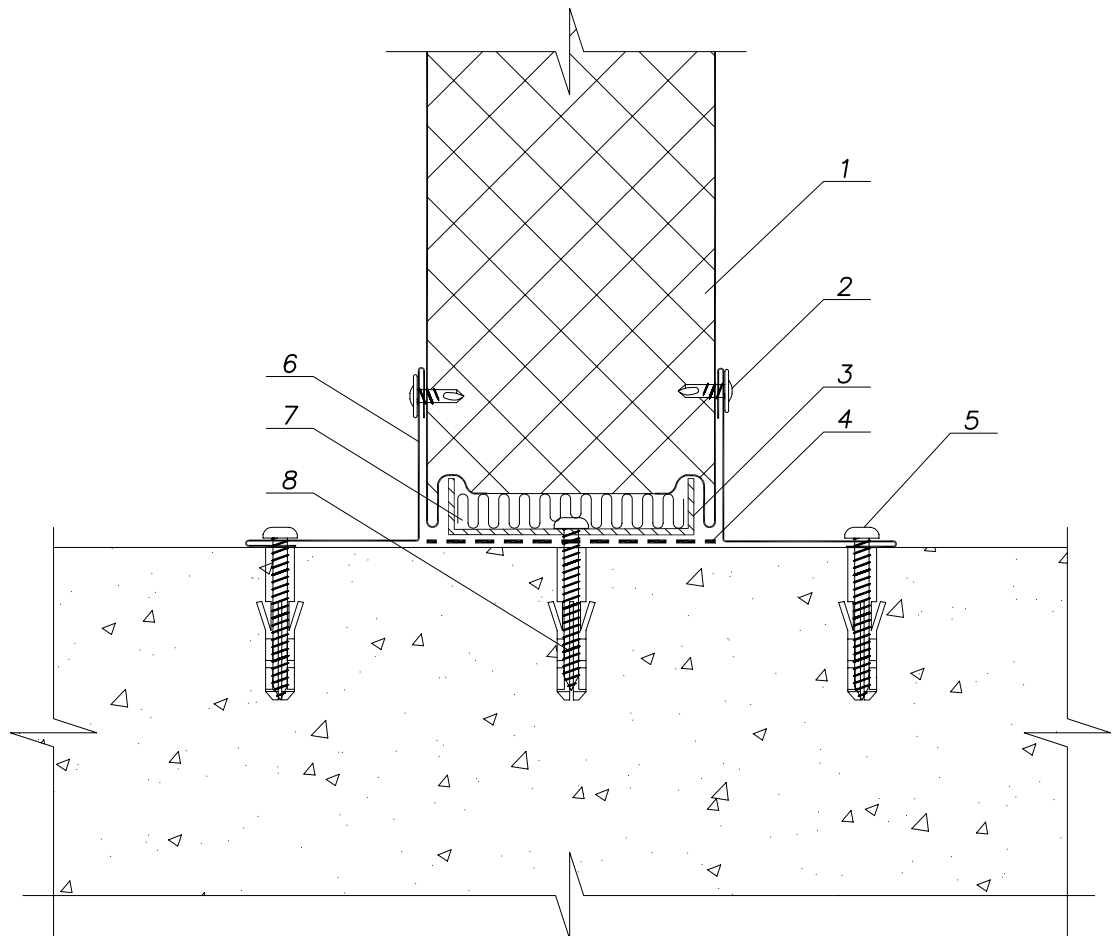
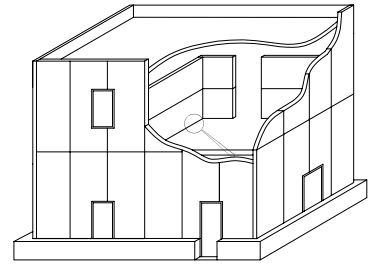
www.stroypanel.ru

2008

list21.dwg



OOO "Stroypanel"
(812) 334-81-13



1. Panel
2. Flashing screw (page 38)
3. U-profile (page 39)
4. Bitumen seal
5. Anchor with screw cc 300 mm (page 38)
6. Flashing (page 40,41)
7. Rock wool (page 39)
8. Anchor with screw cc 600 mm (page 38)

Shadow to footing

Page 22

2008

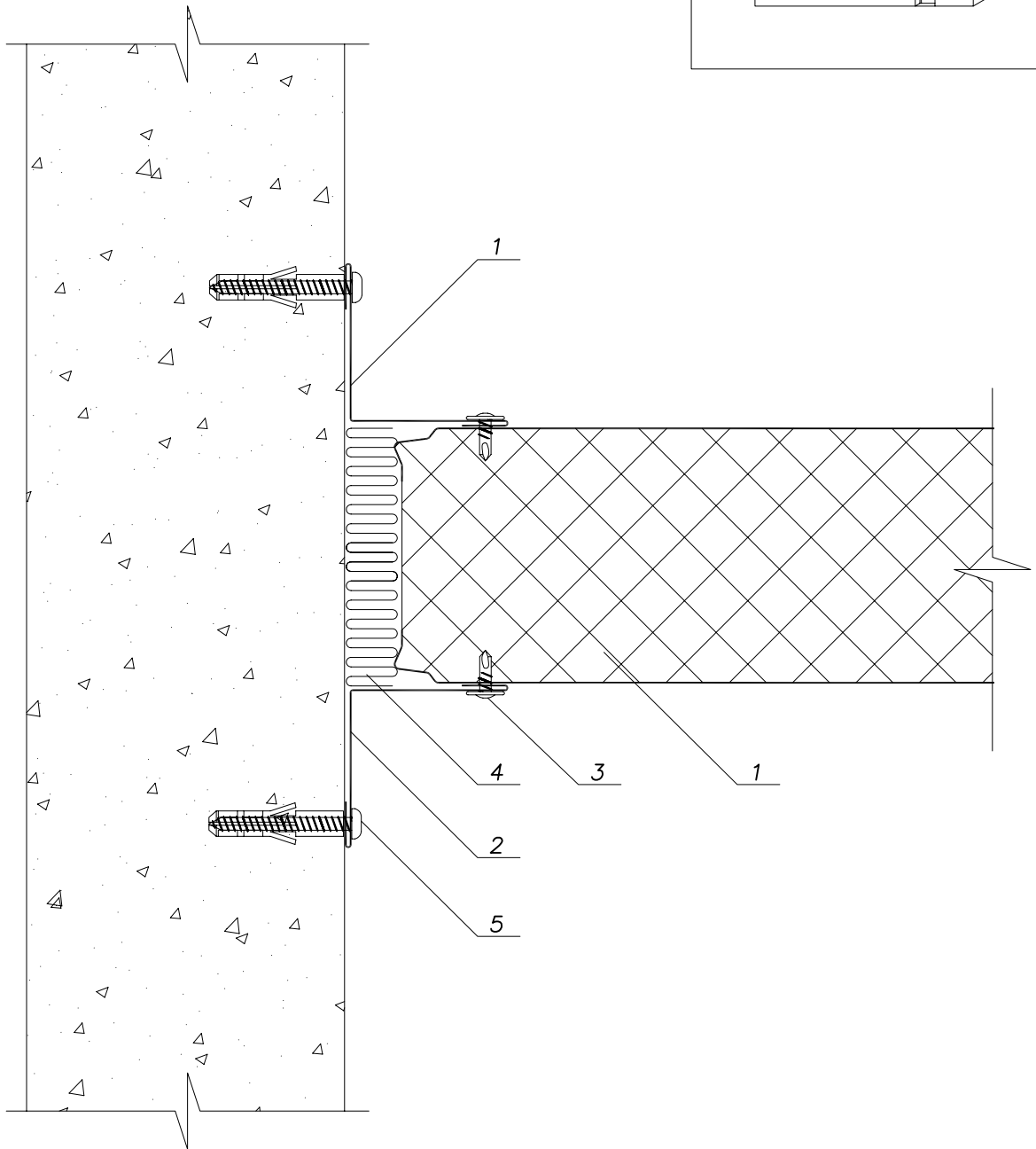
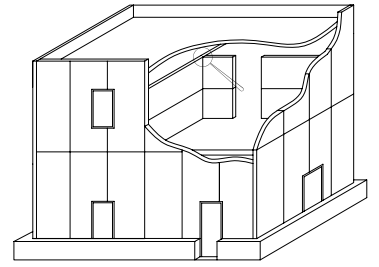
www.stroypanel.ru

list22.dwg

Partition walls



OOO "Stroypanel"
(812) 334-81-13



1. Panel
2. Flashing (page 40,41)
3. Flashing screw (page 38)
4. Rock wool (page 39)
5. Anchor with screw cc 300 mm (page 38)

Fixing to concrete wall

Page 23

2008

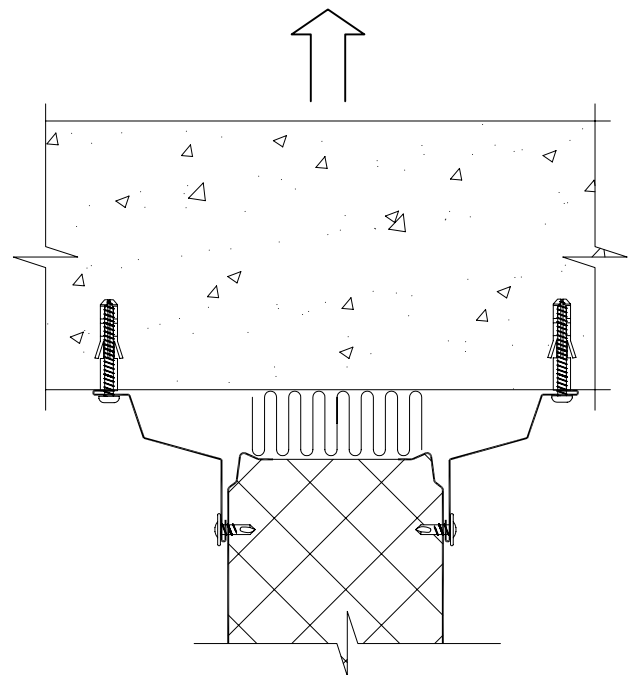
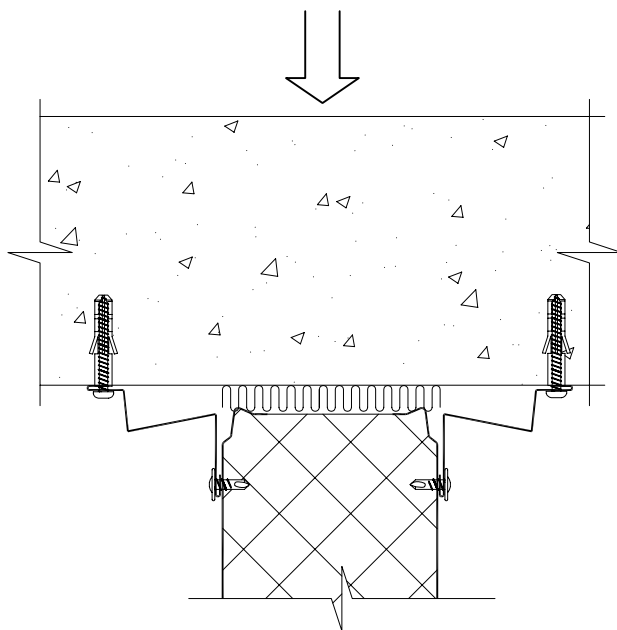
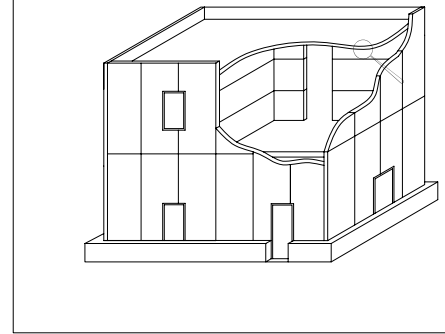
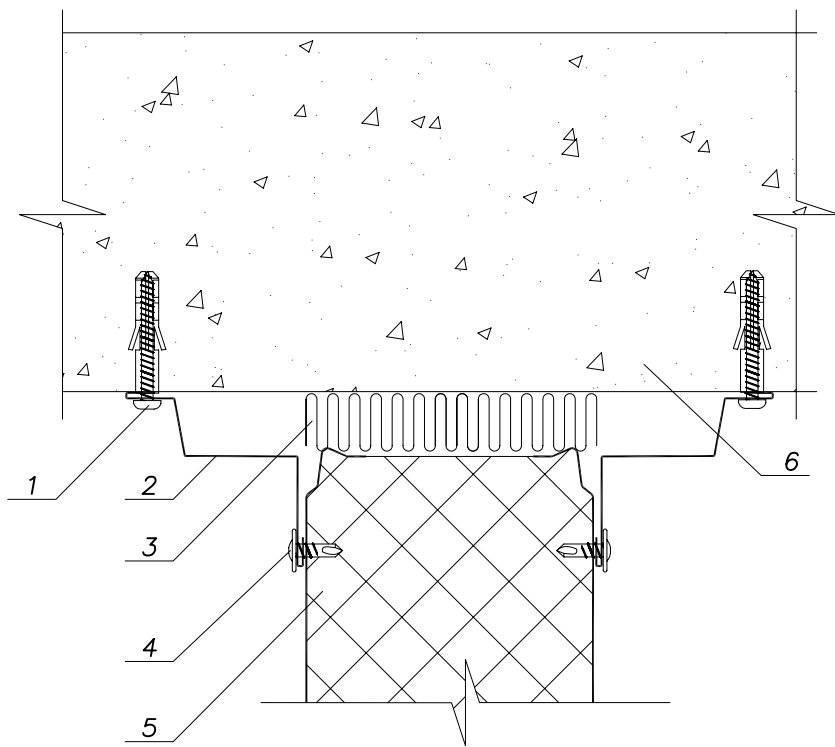
www.stroypanel.ru

list23.dwg

Partition walls



OOO "Stroypanel"
(812) 334-81-13



1. Anchor with screw cc 300 mm (page 38)
2. Flashing (page 40,41)
3. Rock wool (page 39)
4. Flashing screw (page 38)
5. Panel
6. Roof

Fixing to concrete roof

Partition walls

Page 24

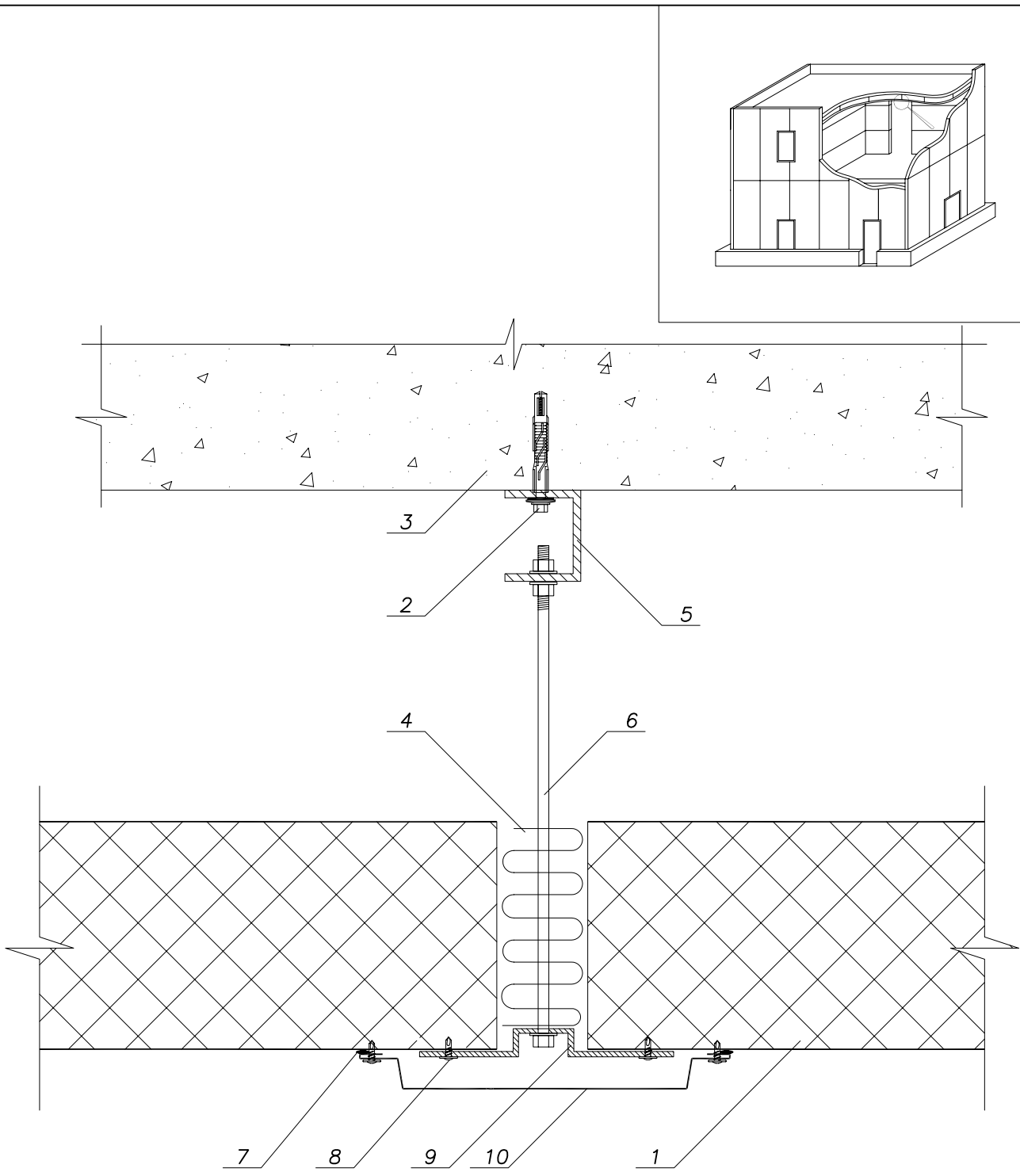
www.stroypanel.ru

2008

list24.dwg



OOO "Stroypanel"
(812) 334-81-13



- 1. Panel
- 2. Anchor cc 600 mm
- 3. Concrete roof
- 4. Rock wool (page 39)
- 5. Holder
- 6. Fastener
- 7. Flashing saeling
- 8. Flashing screw (page 38)
- 9. Hat profile
- 10. Flashing (page 40,41)

Installation to hat profile

Partition walls